



## Welcome to Design Hok

At our company, we offer CAD design services that cover everything from initial sketching to final drawings for manufacturing, including fitting mechanism guides and bills of materials. Our team specializes in drafting and designing according to international standards, with expertise in mechanical manufacturing, product design, sheet metal, and HVAC fields. We use a revision form to track any problems and solutions related to the part design. Additionally, we are available to meet over a call to ensure that your design requirements are met as quickly as possible. Please feel free to reach out to us for any design needs you may have. We are here to help!

### Expert Team

"Our skilled engineers possess years of experience in various mechanical designing fields."

### Software Used for Services

- Auto cad
- Solid works



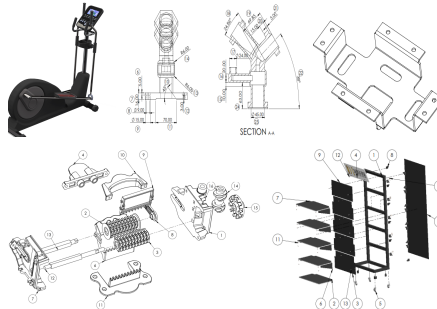
### Client-Centric Focus

"Every plan is customized to meet your specific mechanical design objectives and requirements."

### Proven Success

"Our record of successful client stories demonstrates our commitment and expertise."

### Our Portfolios



## Top Services



### 1. Mechanical Design Work

Our specialty lies in 3D designing, where we can create all parts and assemblies. We can provide you with assembly drawings along with Bill of Materials (BOM), production drawings, and drawings for other purposes. Our proficiency extends to various fields of engineering such as weldments, sheet metal, CNC processing (machining, cutting), reverse engineering, plastics, and 3D printing.



### 3D Modeling of Mechanical

#### Products

we can perform solid and surface 3D modeling of objects based on drawings, photos, sketches, etc. I can save 3D models in any of the popular file formats such as .step, .x\_t, .igs, .stl, etc.



### 2D Drafting and Engineering Drawings

We can create and update drawings, prepare drawings for manufacturing, and work with many types of drawings such as fabrication, general arrangement, P&ID, isometric and layouts.



### 3D Rendering of Parts

We can render the parts for manuals, brochures and websites.

The tools I use to complete these services are SolidWorks and AutoCAD.



### Easy revision process

We offer an easy revision process for our clients to ensure high-quality design work.

Consultations & mechanical design services

"Our main focus is to prioritize your project according to given timeline."

Get in touch with us for mechanical design services, which include 3D modeling, assembly, bill of materials, 2D engineering drawings, rendering, and 3D printing.

"Take control of your design journey with us"



+92304-5336-509



bital@designhok.com



www.designhok.com



Office # 25 mezzanine floor  
mediacom trade city  
Faisalabad, Pakistan.

Our Clients



Our mission

Is to provide the best mechanical services with your goals as our focus and success as our mission.

**DESIGN HOK**  
THE BEST DESIGN PARTNER

DESIGN HOK is an engineering firm that specializes in advanced mechanical design. Our projects are conducted within our design office, or our engineers can work directly at our clients' premises. We provide support to companies operating in high-tech environments with stringent requirements.

”

Empowering  
Futures, Best  
Mechanical Design  
Partners forever,

Design Hok

SINCE 2012